

# T-27J

Code 267.8

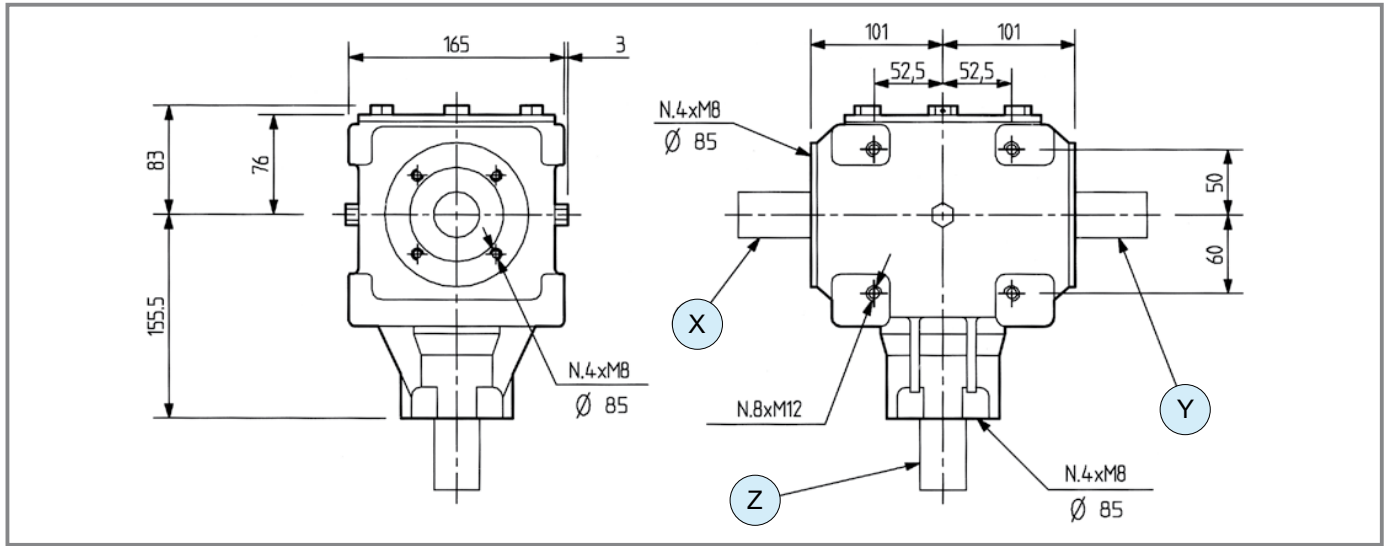
# T-27A

Code 267



kg [kg] 21    oil [l] 1.2

Per configurazioni non a catalogo contattare Servizio Tecnico-Commerciale  
For non-catalog configurations contact Technical-Commercial Service



i	N <sub>1</sub> [rpm]	P <sub>1</sub> [kW]	M <sub>2</sub> [Nm]	Shaft type			Input Features	Code	Mounting	
				X	Y	Z				
1.92	540	22.1	197				Z -	9.267.245		std
1.92	540	22.1	197				X -	9.267.007		std
1.92	540	22.1	197	-			X -	9.267.021		std
1.92	540	22.1	197	-			Z -	9.267.022		std
1.92	540	22.1	197				Z -	9.267.034		std
1.92	540	22.1	197				Z -	9.267.023		std
1.92	540	22.1	197		-		Z -	9.267.235		std
1.46	540	38.3	450				Z -	9.267.042		std
1.46	540	38.3	450		-		Z -	9.267.059		std
1.46	540	27.2	320		-		Z -	9.267.028		std
1.35	540	39.0	495				Z -	9.267.234		std
1.35	540	36.7	466		-		Z -	9.267.048		std



# T-27J

Code 267.8

# T-27A

Code 267



(0.01)



Rinvii angolari  
Angular Gearboxes

		1 - Ruota libera / Free wheel											
		i	N <sub>1</sub> [rpm]	P <sub>1</sub> [kW]	M <sub>2</sub> [Nm]	Shaft type			Input Features	Code	Mounting		
						X	Y	Z			29	30	
M → →	→ →	1.35	540	36.7	466	1	-	1	Z	-	9.267.845	29 30	std
		1.00	540	40.5	695	-	1	1	Z	-	9.267.043	3 4	std
		1.00	540	40.5	695	-	1	1	Z	-	9.267.041	21 22	std
		1.00	540	40.5	695	4	1	50	Y	-	9.267.801	11 12	std
		1.00	540	40.5	695	7	-	1	Z	1 ccw	9.267.601	21 22	std
		1.00	540	40.5	695	1	1	1	Z	-	9.267.806	5 6	std
		1.00	540	40.5	695	3	-	3	Z	-	9.267.105	1 2	std
		1.00	540	27.9	479	3	3	1	Z	-	9.267.013	5 6	std
		1.00	540	88.2	1513	1	4 shafts			-	9.267.803	93	std
R → →	→ →	1.35	540	25.7	595	1	-	1	Z	-	9.267.856	1 2	std
		1.46	540	24.3	608	1	1	1	Z	-	9.267.017	5 6	std
		1.92	540	15.1	497	1	1	1	X	-	9.267.023	11 12	std
		1.92	540	15.1	497	-	1	1	Z	-	9.267.022	3 4	std
		1.92	540	15.1	497	1	1	1	Z	-	9.267.007	5 6	std
		1.92	540	15.1	497	1	-	1	Z	-	9.267.021	1 2	std