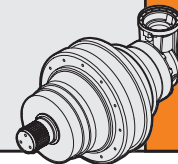


53000

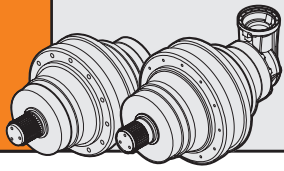
	i	Mc [kNm]				n _{1max} [min ⁻¹]	Pt [kW]	Kg				
		n ₂ x h	n ₂ x h	n ₂ x h	n ₂ x h			M	P	CPC	F	FS
		10.000	20.000	50.000	100.000							
PG 53001	3.84	807.6	727.2	633.1	571.3	100	324	-	-	-	3200	3257
	5.44	458.3	412.7	359.3	338.1							
PG 53002	14.13	715.0	609.9	463.3	376.3	200	185	-	-	-	3710	3767
	18.97	514.7	463.5	403.5	363.4							
	26.87	458.3	412.7	359.3	338.1							
PG 53003	55.88	573.0	507.2	431.6	376.3	1200	125	-	-	-	3905	3962
	75.02	514.7	463.5	403.5	363.4							
	96.03	514.7	463.5	402.6	356.4							
	106.27	458.3	412.7	359.3	338.1							
	136.05	458.3	412.7	359.3	338.1							
	161.24	458.3	412.7	359.3	338.1							
PG 53004	198.69	511.1	452.4	384.8	340.6	2000	92	-	-	-	3964	4021
	239.50	445.3	394.1	335.4	297.0							
	266.72	514.7	463.5	403.5	363.4							
	321.50	514.7	463.5	403.5	363.4							
	411.57	514.7	463.5	402.6	356.4							
	455.46	458.3	412.7	359.3	338.1							
	537.79	514.7	463.5	400.8	354.9							
	595.13	458.3	412.7	359.3	338.1							
	691.04	458.3	412.7	359.3	338.1							
	761.87	458.3	412.7	359.3	338.1							
	902.95	458.3	412.7	359.3	338.1							
	1088.38	458.3	412.7	359.3	338.1							
	PG 53005	1214.55	514.7	463.5	403.5							
1326.18		514.7	463.5	403.5	362.3							
1408.49		514.7	463.5	402.6	356.4							
1486.43		458.3	412.7	359.3	338.1							
1554.83		514.7	463.5	402.6	356.4							
1640.86		458.3	412.7	359.3	338.1							
1752.98		458.3	411.1	349.6	309.7							
1861.79		458.3	412.7	359.3	325.4							
1952.27		458.3	412.7	359.3	338.1							
2031.64		514.7	463.5	400.8	354.9							
2126.46		514.7	463.5	402.6	356.4							
2218.38		514.7	463.5	400.8	354.9							
2364.88		458.3	412.7	359.3	338.1							
2499.24		458.3	412.7	359.3	338.1							
2660.01		453.9	401.7	341.8	302.7							
2778.57		514.7	463.5	400.8	354.9							
2878.16		458.3	412.7	359.3	338.1							
3226.73		514.7	463.5	400.8	354.9							
4489.57		458.3	412.7	359.3	338.1							
5010.01		458.3	412.7	359.3	338.1							
6546.41		458.3	412.7	359.3	338.1							
7890.76	458.3	412.7	359.3	338.1								



	i	Mc [kNm]				n _{1max} [min ⁻¹]	Pt [kW]	Kg				
		n ₂ x h	n ₂ x h	n ₂ x h	n ₂ x h			M	P	CPC	F	FS
		10.000	20.000	50.000	100.000							
PGA 53005	819.22	514.7	423.8	322.0	261.6	2500	73	-	-	-	4086	4143
	864.55	458.3	412.7	334.4	271.7							
	987.46	514.7	463.5	367.0	298.2							
	1160.57	458.3	412.7	359.3	333.9							
	1244.71	476.1	386.5	293.4	238.2							
	1334.06	458.3	412.7	359.3	338.1							
	1398.90	458.3	412.7	359.3	338.1							
	1500.32	514.7	440.5	334.4	271.5							
	1593.45	514.7	459.5	348.8	283.2							
	1743.17	458.3	412.7	359.3	338.1							
	1827.89	458.3	412.7	359.3	338.1							
	1920.67	514.7	463.5	397.5	322.7							
	2125.46	458.3	412.7	359.3	338.1							
	2340.02	458.3	412.7	359.3	338.1							
	2509.68	514.7	463.5	400.8	354.9							
	2820.56	458.3	412.7	359.3	338.1							
	3224.83	458.3	412.7	359.3	338.1							
	4213.78	458.3	412.7	359.3	338.1							
5079.11	458.3	412.7	359.3	338.1								

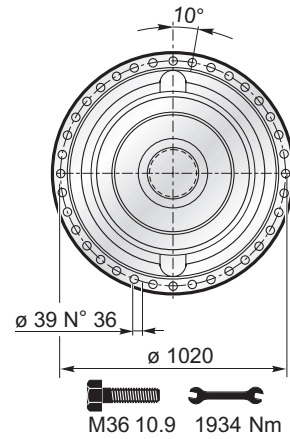
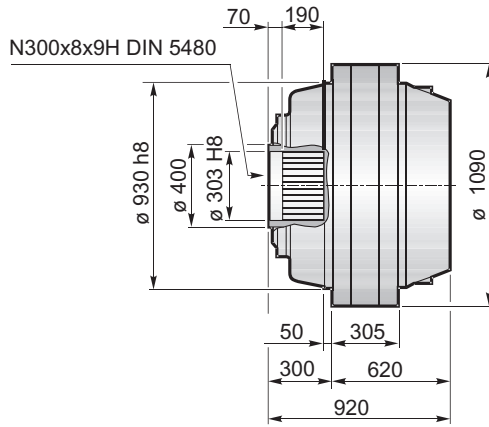
(n₂ x h = 20.000)

$$M_{\max} = M_c \times 1.6$$

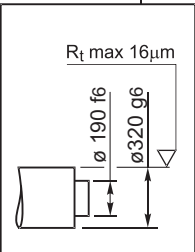
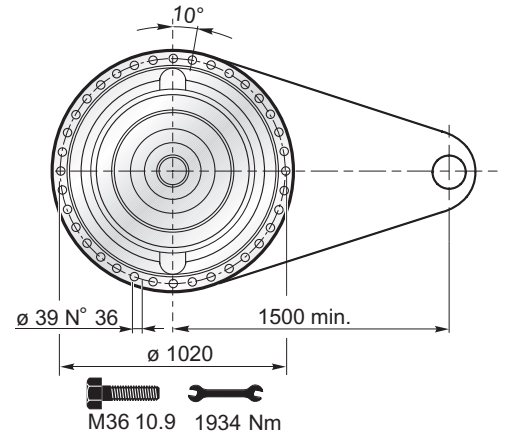
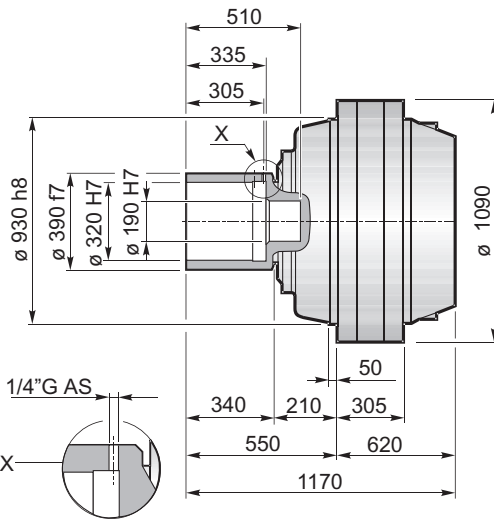


53000

F



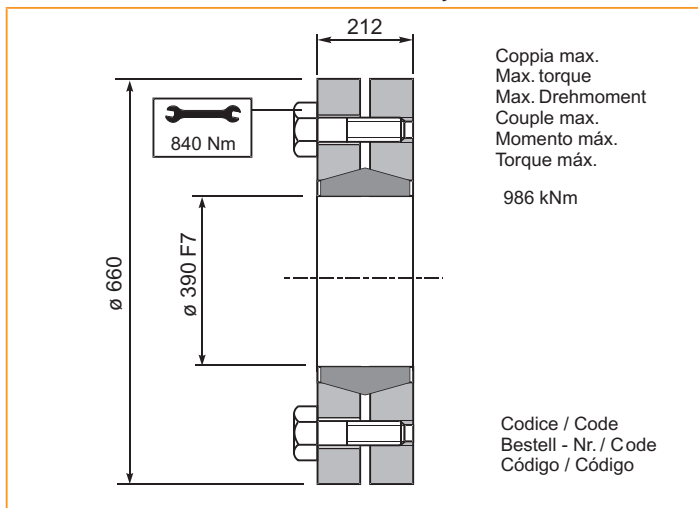
FS

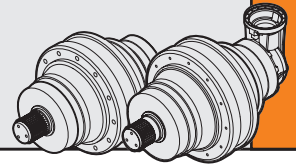


$M_{\max} = 986 \text{ kNm}$

La coppia massima indicata è valida solo con calettatori forniti da Planetary Drives
 The maximum torque indicated is valid only with shrink discs supplied by Planetary Drives
 Das dargestellte, maximale Drehmoment gilt nur mit von Planetary Drives gelieferter Schrumpfscheibe
 Le couple maximal indiqué n'est valable qu'avec les frettes de serrage fournis par Planetary Drives
 El momento máximo indicado sólo es válido con discos de contracción suministrados por Planetary Drives
 O torque máximo indicado é válido exclusivamente com discos de contração fornecidos pela Planetary Drives

GA Giunto di attrito / Shrink disc
 Schrumpfscheibe / Frette de serrage
 Disco de contração / Disco de contração





	PG ...F						
	A	B	RA	RB	EF	EDF	
PG53001	620	920					
PG53002	903.5	1203.5					
PG53003	1124.5	1424.5					
PG53004	1231.5	1531.5		•			
PG53005	1303	1603	•	o	•		

	PG ...FS						
	A	B	RA	RB	EF	EDF	
PG53001	620	1170					
PG53002	903.5	1453.5					
PG53003	1124.5	1674.5					
PG53004	1231.5	1781.5		•			
PG53005	1303	1853	•	o	•		



A	B	•
A+13.5	B+13.5	o

	PGA ...F					
	A	B	RA	RB	EF	
PGA53005	1366.5	315	•	o	•	

	PGA ...FS					
	A	B	RA	RB	EF	
PGA53005	1366.5	315	•	o	•	



B	•
B+16.5	o

